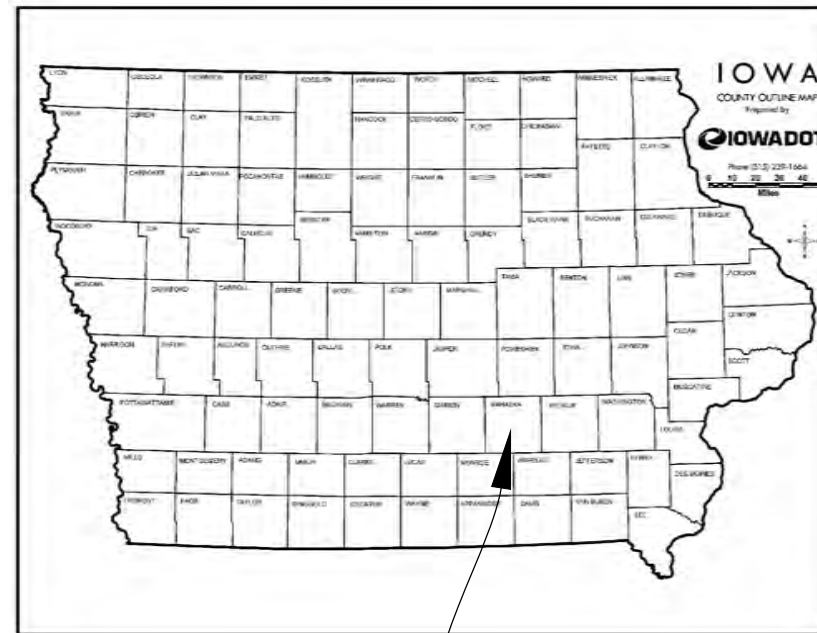
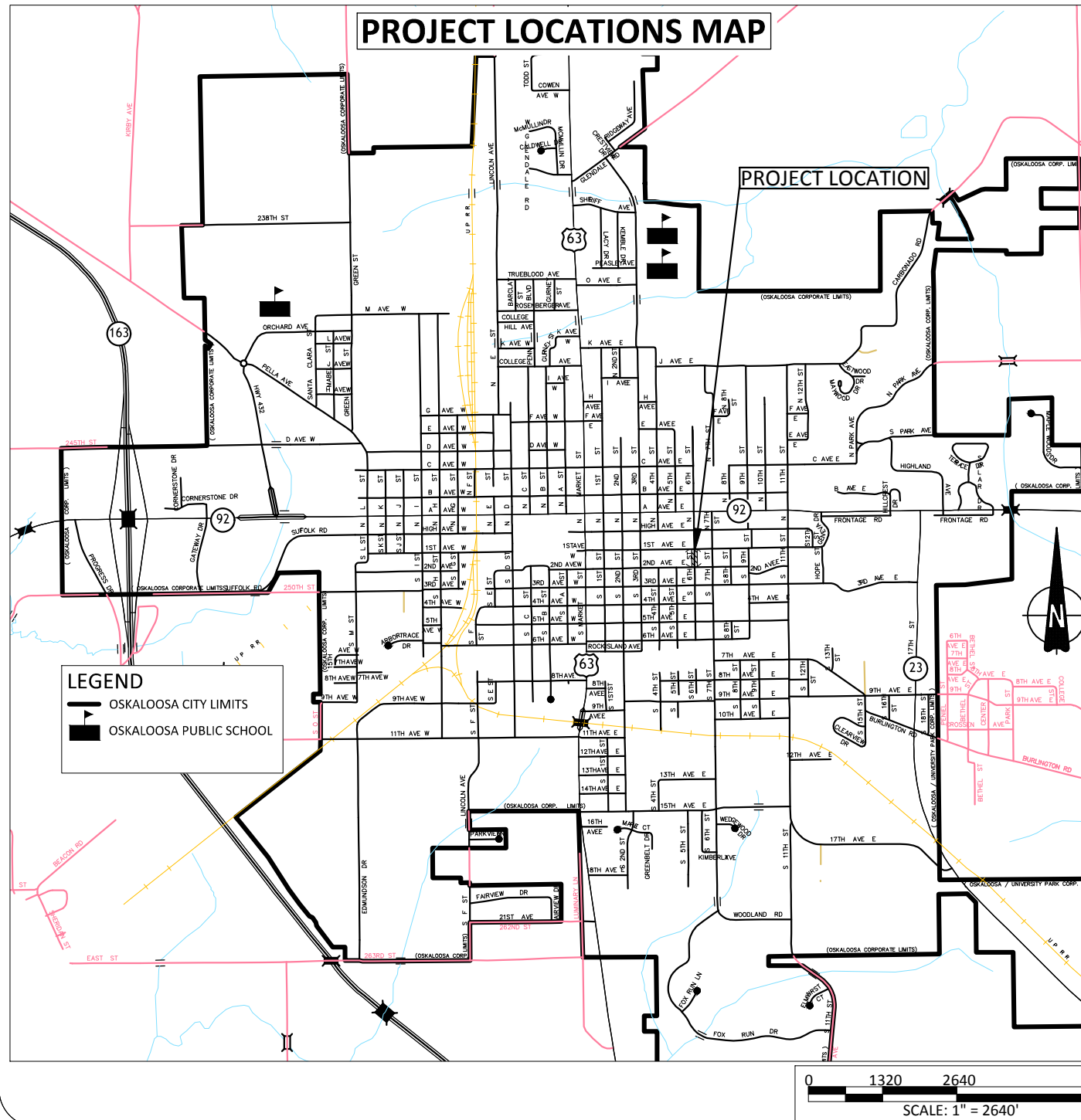
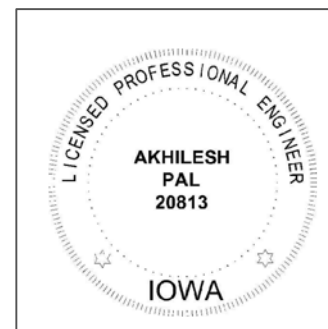


6TH STREET CURB AND GUTTER REPLACEMENT PROJECT - PHASE 1 OSKALOOSA, IOWA FY2020 CIP #2010-98

SHEET INDEX	
SHEET NO.	DESCRIPTION
A.1	TITLE SHEET AND PROJECT LOCATION MAPS
A.2	GENERAL NOTES AND QUANTITIES
A.3	TYPICALS AND CONSTRUCTION NOTES
B.1	REMOVALS
B.2	IMPROVEMENTS



OSKALOOSA



I hereby certify that this engineering document was prepared by me or under my direct personal supervision and that I am a duly licensed Professional Engineer under the laws of the State of Iowa.

Akhilesh Pal, P.E. Date

License Number: 20813
My license renewal date is: December 31, 2021

Pages or sheets covered by this seal:
ALL SHEETS

UTILITY CONTACT INFORMATION		
UTILITY	ORGANIZATION & REPRESENTATIVE	PHONE
WATER, STORM & SANITARY SEWER	CITY OF OSKALOOSA, KELLY HEFNER	641-673-8476
PUBLIC WORKS	CITY OF OSKALOOSA, AKHILESH PAL	641-673-7472
NATURAL GAS	MID-AMERICAN ENERGY, JOHN BIXLER	641-777-5930
ELECTRIC	MID-AMERICAN ENERGY, JASON SANDIFER	641-660-7217
COMMUNICATIONS	MCG, JUSTIN SHIPMAN	641-295-7067
TELEVISION	MEDIACOM, BRIAN MORROW	641-455-6841
PHONE	CENTURY LINK, TIM CARONE	847-812-2247

SHEET TITLE: TITLE SHEET AND PROJECT LOCATION MAPS

PROJECT NAME: 6TH STREET CURB AND GUTTER REPLACEMENT PROJECT-PHASE 1 OSKALOOSA, IOWA

DRAWN BY: CR

APPROVED BY: AP

DATE: 05-31-2019

PROJECT NO: CIP 2010-98

SHEET NO. **A.1**

NO. _____

REVISION/ISSUE _____

DATE _____

GENERAL NOTES:

- THIS PROJECT INCLUDES ALL WORK AND MATERIALS ASSOCIATED WITH THE CONSTRUCTION OF CONCRETE STREET PAVEMENT, CURB AND GUTTER, DRIVEWAYS, AND SIDEWALK, AS WELL AS TRAFFIC CONTROL AND MISCELLANEOUS ASSOCIATED WORK INCLUDING CLEAN UP.
- ALL CONSTRUCTION WORK SHALL BE IN ACCORDANCE WITH THE CITY OF OSKALOOSA DEPARTMENT OF PUBLIC WORKS STANDARD DRAWINGS AND THE LATEST EDITION OF THE IOWA STATEWIDE URBAN DESIGN AND SPECIFICATIONS (SUDAS) MANUAL PLUS ANY CURRENT SUPPLEMENTAL SPECIFICATIONS.
- SUDAS SPECIFICATION MANUALS CAN BE ORDERED ONLINE (WWW.IOWASUDAS.ORG/MANUALS/ORDER-FORMS/) OR BE VIEWED ON THE SUDAS WEBSITE (WWW.IOWASUDAS.ORG). THE CONTRACTOR SHALL HAVE A MINIMUM OF ONE SET OF PLANS AND SPECIFICATIONS ON THE JOB SITE AT ALL TIMES DURING CONSTRUCTION ACTIVITIES.
- NOTIFY AKHILESH PAL, PUBLIC WORKS DIRECTOR FOR THE CITY OF OSKALOOSA, AT 641-673-7472 TWO WEEKS PRIOR TO COMMENCING WORK. THROUGHOUT THE PROJECT, MAKE EVERY EFFORT TO COORDINATE WORK AND COOPERATE WITH ALL CITY PERSONNEL AND ENGINEERS.
- CONTRACTOR SHOULD MAKE EVERY EFFORT TO ALLOW ACCESS DURING CONSTRUCTION AND SHALL NOTIFY PROPERTY OWNERS 48 HOURS IN ADVANCE IF ACCESS TO PROPERTIES WILL BE INTERRUPTED. ACCESS TO PRIVATE PROPERTY SHALL BE MAINTAINED AT ALL TIMES FOR EMERGENCY VEHICLES.
- CONTRACTOR SHALL MAINTAIN POSTAL SERVICE IN ACCORDANCE WITH SUDAS SECTIONS 1070 2.14 AND 11,030 OF THE SPECIFICATIONS. CONTRACTOR SHALL MAINTAIN WASTE COLLECTION IN ACCORDANCE WITH SECTION 11,030 OF THE SPECIFICATIONS. ALL OF THIS WORK IS INCIDENTAL TO CONSTRUCTION.
- CONTRACTOR SHALL FOLLOW THE TEMPORARY TRAFFIC CONTROL IN ACCORDANCE WITH SUDAS SECTION 8030. THE CITY ENGINEER RESERVES THE RIGHT TO MODIFY THE TRAFFIC CONTROL AS NEEDED. BARRICADES AND SIGNS SHALL BE FURNISHED BY THE CONTRACTOR AND INSTALLED PER THE REQUIREMENTS OF THE MANUAL ON UNIFORM TRAFFIC CONTROL DEVICES (MUTCD). TEMPORARY TRAFFIC CONTROL SHALL ALSO BE IN ACCORDANCE WITH THE IOWA DOT STANDARD SPECIFICATION SECTION 2528, AND APPLICABLE IOWA DOT STANDARD ROAD PLANS. THE CONTRACTOR SHALL MAINTAIN, CLEAN AS NECESSARY, AND REPLACE DAMAGED TRAFFIC CONTROL DEVICES THROUGHOUT THE DURATION OF CONSTRUCTION. TRAFFIC CONTROL IS CONSIDERED INCIDENTAL TO THIS PROJECT.
- CONTRACTOR SHALL PROVIDE QUALITY CONTROL IN ACCORDANCE WITH SUDAS SECTION 7010 3.7, AND SHALL BE THE RESPONSIBLE PARTY FOR ALL REQUIRED TESTING AND RE-TESTING OF P.C. CONCRETE, INCLUDING AIR CONTENT, SLUMP, AND CYLINDERS. THE COST OF THIS IS CONSIDERED INCIDENTAL.
- CONCRETE MIX SHALL BE IDOT C-3WR-C OR C-4WR-C FOR ALL PAVEMENT, CURB AND GUTTER, DRIVEWAYS, AND SIDEWALK. COARSE AGGREGATE SHALL BE CLASS 3 DURABILITY. USE OF FLY ASH AND GROUND GRANULATED BLAST FURNACE SLAG (GGBFS) SHALL BE IN ACCORDANCE WITH SUDAS SECTION 7010 2.02C.
- COARSE AND FINE AGGREGATES SHALL BE FURNISHED FROM AN APPROVED SOURCE IN ACCORDANCE WITH THE SPECIFICATIONS. METHOD OF ACCEPTANCE FOR COARSE AND FINE AGGREGATES SHALL BE BY QUALITY CERTIFICATION FURNISHED BY THE CONTRACTOR. CERTIFIED PLANT INSPECTION IS NOT REQUIRED.
- CONTRACTOR SHALL BE RESPONSIBLE FOR PROVIDING CONCRETE WASHOUT IN ACCORDANCE WITH SUDAS SECTION 11,050 OF THE SPECIFICATIONS. WORK FOR CONCRETE WASHOUT IS INCIDENTAL TO CONSTRUCTION.
- THE LOCATIONS OF EXISTING UTILITIES IS APPROXIMATE. THE CONTRACTOR IS RESPONSIBLE FOR LOCATING AND NOTIFYING ALL UTILITY COMPANIES IN SERVICE DURING CONSTRUCTION. ALL UTILITY FIXTURES SHALL BE ADJUSTED TO CONFORM TO THE FINISHED SURFACE OF NEW PAVEMENT. IF CONFLICTS OCCUR, ADDITIONAL WORK WILL BE ACCOMMODATED AS EXTRA WORK.
- PROTECT ALL UTILITIES FROM DAMAGE DURING CONSTRUCTION. ANY UTILITIES DAMAGED DUE TO CONTRACTOR'S NEGLIGENCE WILL BE REPAIRED AT THEIR EXPENSE. THE CONTRACTOR SHALL PRESERVE ALL MONUMENTS, STAKES, PROPERTY PINS, REFERENCE POINTS, AND BENCHMARKS. IN CASE OF DESTRUCTION BY CONTRACTOR'S NEGLIGENCE OR CARELESSNESS, THEY WILL BE CHARGED WITH THE RESULTING EXPENSE OF REPLACEMENT AND RESPONSIBILITY FOR AND MISTAKES OR LOSS OF TIME CAUSED THEREBY.
- THE DISPOSAL OF ALL WASTE AND EXCESS MATERIAL IS THE CONTRACTOR'S RESPONSIBILITY. DISPOSAL SHALL MEET FEDERAL, STATE AND LOCAL SAFETY, HEALTH, AND ENVIRONMENTAL REQUIREMENTS.
- THE CONTRACTOR SHALL PREVENT THE ENTRY OF MUD, DIRT, DEBRIS, AND OTHER MATERIAL INTO EXISTING SEWERS. SHOULD MUD, DIRT, DEBRIS, OR OTHER MATERIAL ENTER THE SEWERS, THE CONTRACTOR SHALL CLEAN THEM AT NO COST TO THE OWNER.
- THE JURISDICTION RESERVES THE RIGHT TO MAKE ALTERATIONS IN THE PLANS OR IN THE QUANTITIES OF THE WORK AS MAY BE CONSIDERED NECESSARY. SUCH ALTERATIONS SHALL BE IN COMPLIANCE WITH SUDAS SECTION 1040 1.06 AND SHALL NOT BE CONSIDERED AS A WAIVER OF ANY CONDITIONS OF THE CONTRACT DOCUMENTS OR TO INVALIDATE ANY OF THE PROVISIONS THEREOF.
- CURB AND GUTTER ELEVATIONS SHALL MATCH THE EXISTING STREET WITH MINOR ADJUSTMENTS TO BE MADE IN THE FIELD AS NEEDED.
- LONGITUDINAL SUBDRAINS SHALL BE INSTALLED AT THE LOCATION SHOWN ON THE DRAWINGS AND SUBDRAINS AND SUBDRAIN OUTLETS WILL BE IN ACCORDANCE WITH SUDAS SECTION 4040 1.08A. SUBDRAIN SHALL BE 6 INCH PIPE CASE A TYPE 1 PER SUDAS 4040.231 AND SHALL MEET REQUIREMENTS OF SUDAS 4040 2.05A. SUBDRAIN OUTLETS SHALL MEET REQUIREMENTS OF SUDAS 4040 2.05A. POROUS BACKFILL MATERIAL SHALL MEET THE REQUIREMENTS OF SUDAS 4040 2.04A AND WILL NOT BE MEASURED FOR PAYMENT BUT SHALL BE INCLUDED IN THE PRICE BID FOR SUBDRAIN. THERE WILL BE NO REQUIREMENT OF ENGINEERING FABRIC ON THE SUBDRAIN.

ESTIMATED PROJECT QUANTITIES					
6TH STREET CURB AND GUTTER REPLACEMENT PROJECT – PHASE 1					
NO.	BID ITEM NO.	BID ITEM DESCRIPTION	UNIT	ESTIMATED QUANTITY	REMARKS
1	2010-108-I-0	Subbase, Granular	SY	185	
2	4040-108-A-0	Subdrain, Perforated, 6 in	LF	500	
3	4040-108-D-0	Subdrain Outlets and Conn., 6 in	EACH	2	
4	7010-108-E-0	PCC Curb and Gutter, 2' Wide, 7" Thick	LF	470	
5	7030-108-A-0	Removal of Sidewalk	SY	55	
6	7030-108-A-0	Removal of Driveway	SY	100	
7	7030-108-E-0	Sidewalk, PCC, 4" Thick	SY	5	
8	7030-108-E-0	Sidewalk, PCC 6" Thick	SY	70	
9	7030-108-H-1	Driveway, Paved, Type A, 6" Thick	SY	90	
10	7040-108-I-0	Curb and Gutter Removal	LF	470	
11	9010-108-A-0	Conventional Seeding, Fert & Mulch.	LS	1	



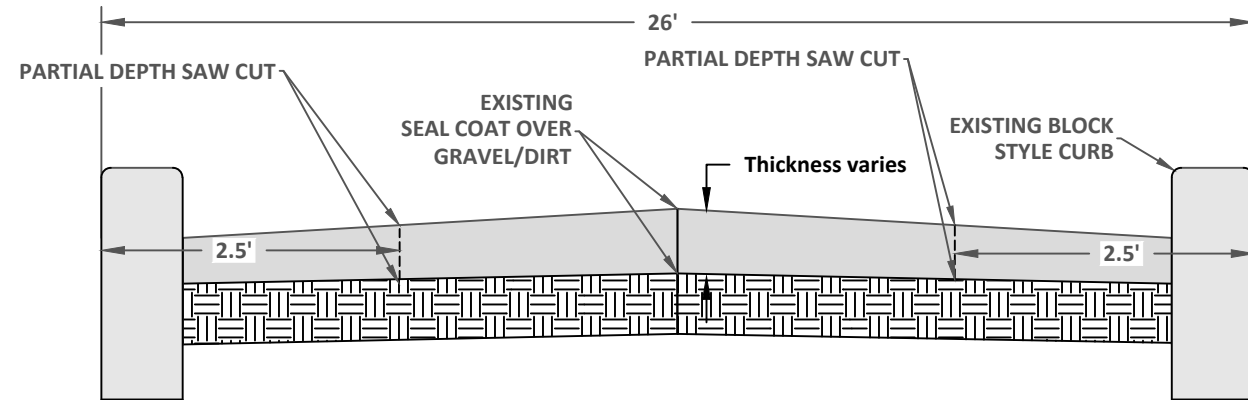
SHEET TITLE: GENERAL NOTES AND QUANTITIES	NO.	REVISION/ISSUE	DATE

PROJECT NAME:
**6TH STREET
CURB AND GUTTER
REPLACEMENT PROJECT-PHASE 1
OSKALOOSA, IOWA**

DRAWN BY: CR	APPROVED BY: AP
DATE: 05-31-2019	PROJECT NO. CIP 2010-98

SHEET NO.
A.2

TYPICAL SECTION FOR 6TH STREET - EXISTING



ADDITIONAL CONSTRUCTION NOTES:

CURB AND GUTTER, 2' WIDE, 7" THICK:

1. FOLLOW SUDAS SECTION 7010 UNLESS OTHERWISE SPECIFIED BELOW.
2. SEE TYPICAL SECTIONS FOR CONSTRUCTION DETAILS.
3. TIE INTO EXISTING CURB AND GUTTER WITH "BT-4" JOINT.
4. "C" JOINTS ARE TO BE SPACED A MAXIMUM OF 10' APART.
5. GROUT THE BACK OF CURB PRIOR TO PLACING BACKFILL.

DRIVEWAY, PAVED, TYPE A, 6" THICK*:

1. FOLLOW SUDAS SECTION 7030 UNLESS OTHERWISE SPECIFIED BELOW.
2. ALL DRIVEWAY FLARES SHALL BE 3' WIDE UNLESS OTHERWISE SPECIFIED ON THE PLANS.
3. WHENEVER POSSIBLE, TIE INTO THE EXISTING SIDEWALK WITH "BT-5" JOINT.
4. PLACE AND SEAL EXPANSION JOINT AT THE BACK OF CURB.
5. "C" JOINTS ARE TO BE SPACED A MAXIMUM OF 8' APART.

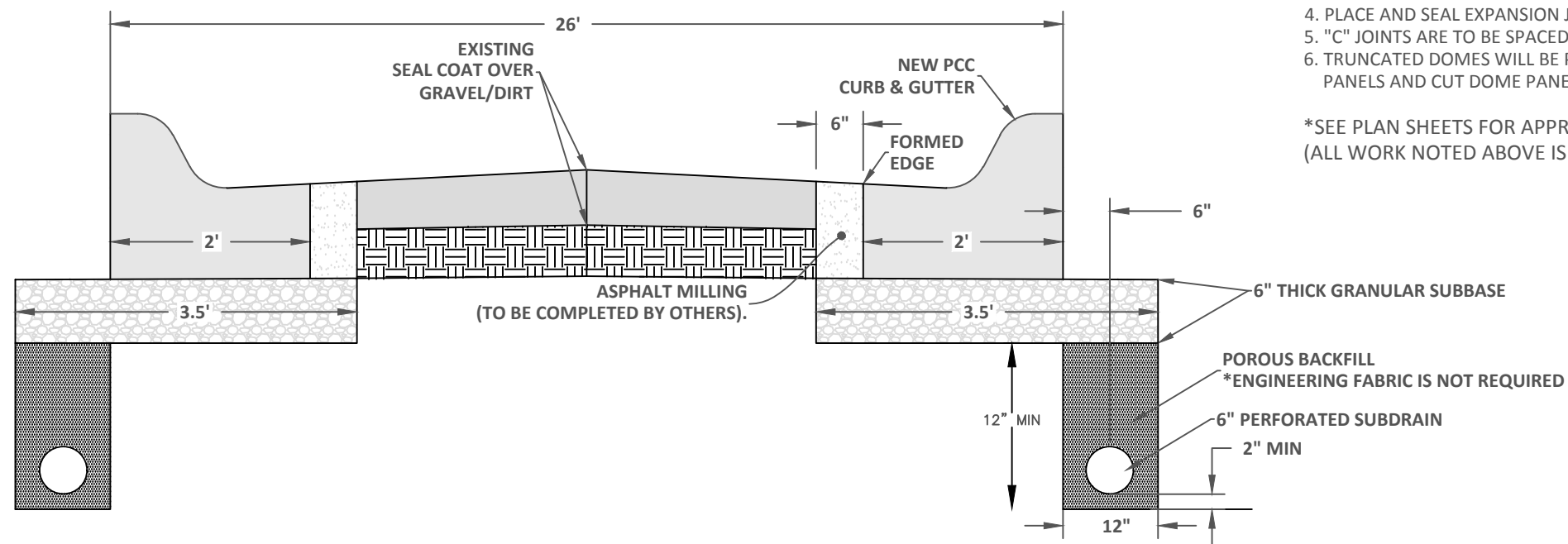
SIDEWALK, PCC, 4" AND/OR 6" THICK*:

1. FOLLOW SUDAS SECTION 7030 UNLESS OTHERWISE SPECIFIED BELOW.
2. ALL NEW SIDEWALK AND RAMPS MUST MEET CURRENT ADA ACCESSIBILITY STANDARDS.
3. TIE INTO EXISTING SIDEWALK WITH "BT-1" JOINT (MINIMUM OF 2 BARS).
4. PLACE AND SEAL EXPANSION JOINT AT THE BACK OF CURB.
5. "C" JOINTS ARE TO BE SPACED A MAXIMUM OF 4' APART.
6. TRUNCATED DOMES WILL BE PROVIDED BY CITY OF OSKALOOSA STAFF. CONTRACTOR WILL NEED TO PLACE PANELS AND CUT DOME PANELS TO FIT WHEN NECESSARY.

*SEE PLAN SHEETS FOR APPROXIMATE LOCATIONS.

(ALL WORK NOTED ABOVE IS CONSIDERED INCIDENTAL TO CONSTRUCTION.)

TYPICAL SECTION FOR 6TH STREET - NEW CONSTRUCTION



SHEET TITLE:		TYPICALS AND CONSTRUCTION NOTES	
NO.	REVISION/ISSUE	DATE	

PROJECT NAME:
6TH STREET CURB AND GUTTER REPLACEMENT PROJECT-PHASE 1 OSKALOOSA, IOWA

DRAWN BY:	CR	AP
APPROVED BY:		
DATE:	05-31-2019	
PROJECT NO.		
		CIP 2010-98

SHEET NO.
A.3







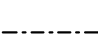
LEGEND:

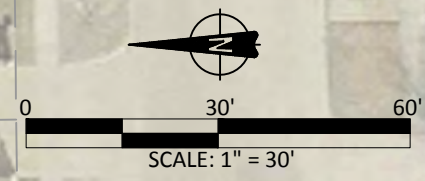
- PCC REMOVAL
- APPROXIMATE PROPERTY LINE

OSKALOOSA ENGINEERING DEPT. 1010 1ST STREET OSKALOOSA, IA 52577 PHONE: (641) 673-7472 FAX: (641) 673-3733	
PROJECT NAME: 6TH STREET CURB AND GUTTER REPLACEMENT PROJECT-PHASE 1 OSKALOOSA, IOWA	SHEET TITLE: REMOVALS
DRAWN BY: CR APPROVED BY: AP DATE: 05-31-2019 PROJECT NO.: CIP 2010-98	NO. _____ REVISION/ISSUE _____ DATE _____
SHEET NO. <h1 style="margin: 0;">B.1</h1>	



LEGEND:

-  PROPOSED SIDEWALK - 4" THICK
-  PROPOSED SIDEWALK/DRIVEWAY - 6" THICK
-  PROPOSED CURB & GUTTER - MATCH EXISTING THICKNESS
-  APPROXIMATE PROPERTY LINE
-  PROPOSED SUBDRAIN



SHEET TITLE:
IMPROVEMENTS

PROJECT NAME:
**6TH STREET
CURB AND GUTTER
REPLACEMENT PROJECT-PHASE 1
OSKALOOSA, IOWA**

DRAWN BY:	CR
APPROVED BY:	AP
DATE:	05-31-2019
PROJECT NO.:	CIP 2010-98

SHEET NO.
B.2

NO.	REVISION/ISSUE	DATE