



**Swimm Building**





**Swimm Building**

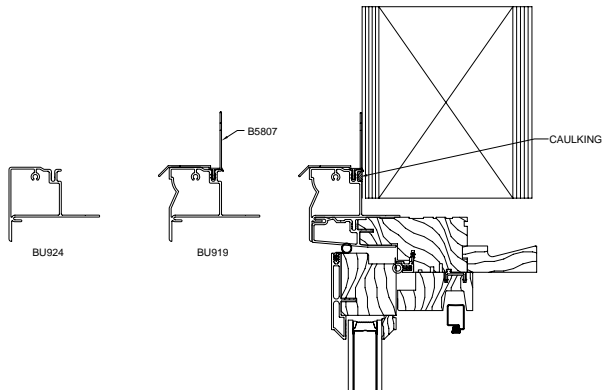
A photograph of a brick building facade. The building is constructed of dark red bricks. There are several windows visible. One window is a double-hung window with a white frame, located in the upper right. Below it, there are two more windows, also with white frames, which appear to be double-hung windows. The sky is a clear, bright blue. The text "Wang Building" is overlaid in a white rectangular box in the center of the image.

# Wang Building

# Accessories

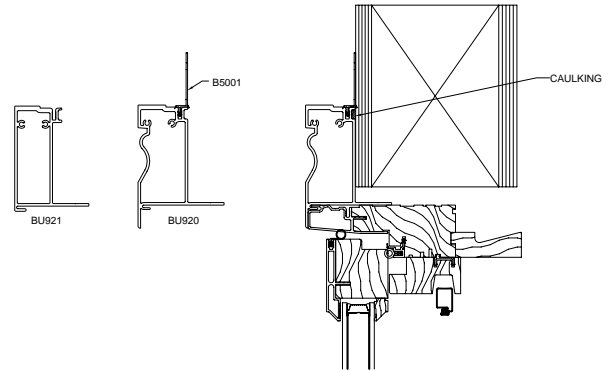
## Application Details

### 1-15/16" Brickmould



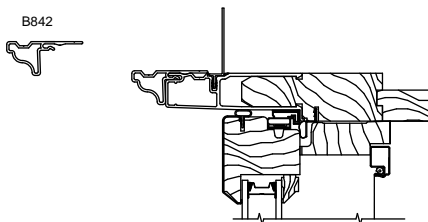
Optional Profile BU924 or standard Profile BU919 coupled with profile B5807, make up the factory-applied 1-15/16" brickmould or flat casing. Colored to match the unit. Nailing fin is applied.

### 3-1/2" Brickmould or Flat Casing



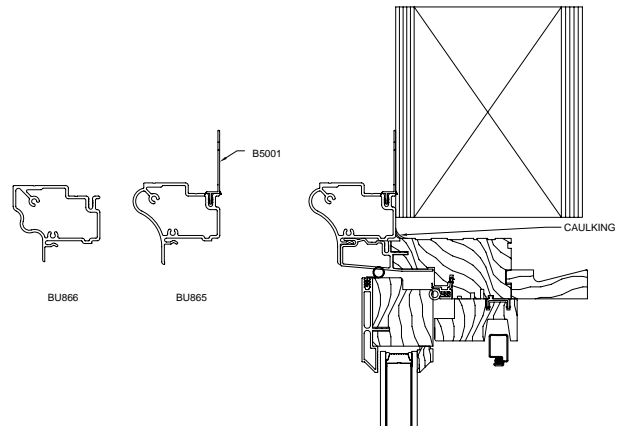
Optional flat Profile BU921 or BU920, couple with Profiles B5001, make up the factory-applied 3-1/2" brickmould or flat casing. Colored to match the unit. Nailing fin is applied.

### Ogee Casing



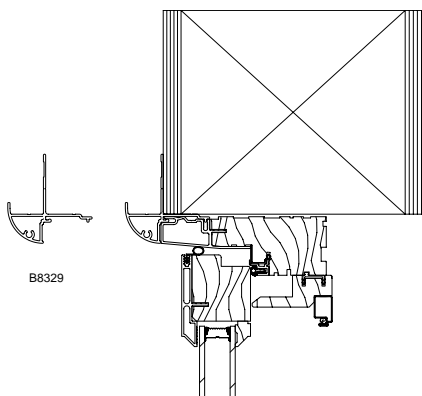
Profile B842, Ogee casing, can be used on any Ultra unit as trim. Colored to match the unit. Nailing fin applied.

### Bull Nose Brickmould



Profile BU865 or BU866, used in conjunction with Profile B5001, make up the factory-applied bull nose casing or historic trim. Colored to match the unit. Nailing fin is applied.

### Stucco Casing

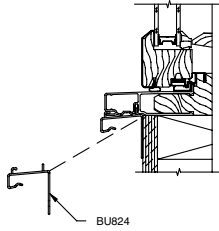


Profile B8329 is factory applied as standard and used for Stucco finish applications. Colored to match the unit.

NOTE: Drawings are not to scale. Additional and the most current drawings are available at [www.kolbewindows.com](http://www.kolbewindows.com).

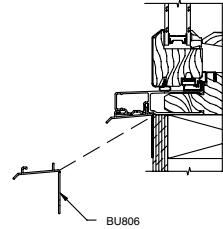
## Application Details

### Traditional Sill Nosing *(standard)*



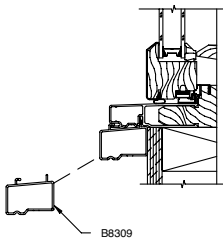
Profile BU824 may be applied to units with 1-15/16" brickmould, 3-1/2" brickmould or 3-1/2" flat casing. Colored to match the unit.

### Sill Drip



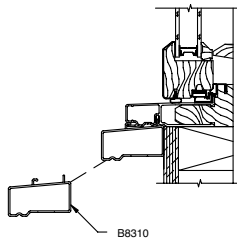
Optional Profile BU806 may be applied to units with 1-15/16" brickmould, 3-1/2" brickmould or 3-1/2" flat casing. Colored to match the unit.

### 1-5/8" Sill Nosing



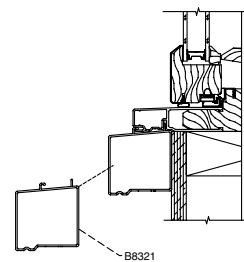
Optional Profile B8309 may be applied to units with 1-15/16" brickmould, 3-1/2" brickmould and 3-1/2" flat casing. Colored to match the unit.

### 2-1/8" Sill Nosing



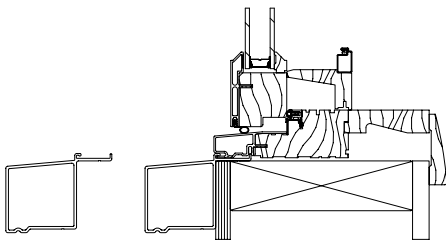
Profile B8310 is a standard application to units with backband, ogee casing and bullnose brickmould. Colored to match the unit.

### 2-1/8" Historic Nosing



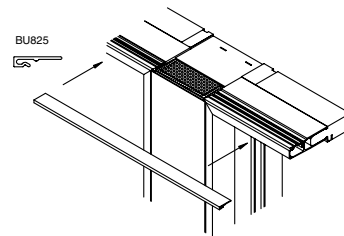
Profile B8321 is a standard application to units with historic brickmould. Colored to match the unit.

### Stucco Sill Nosing



Profile B8330 is factory applied as standard and used for Stucco finish applications. Colored to match the unit.

### Head & Sill Trim



Profile BU825 may be used on spread mulls and stacked units without brickmould. Colored to match the unit.