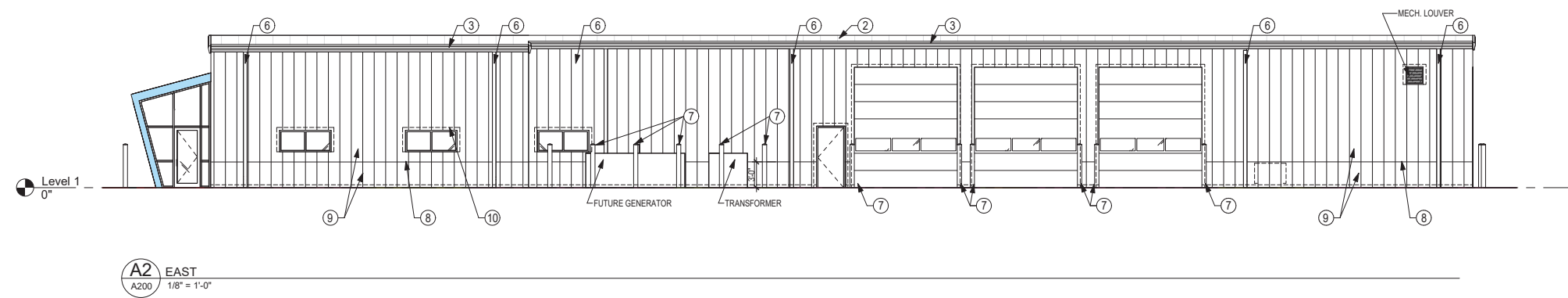
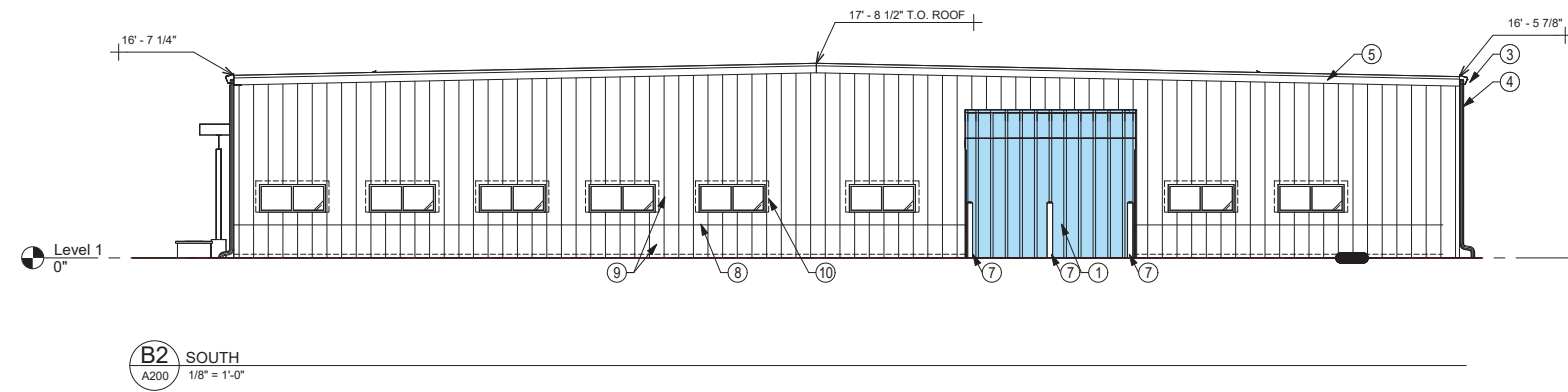
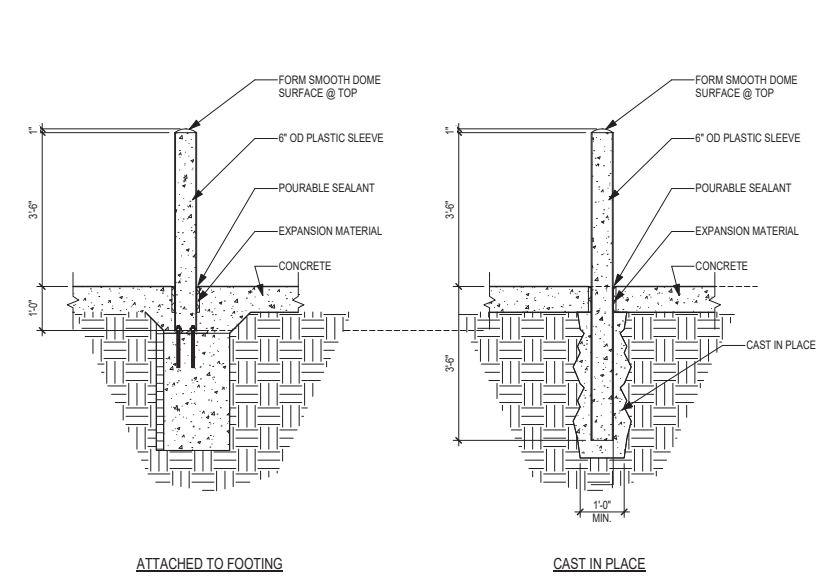


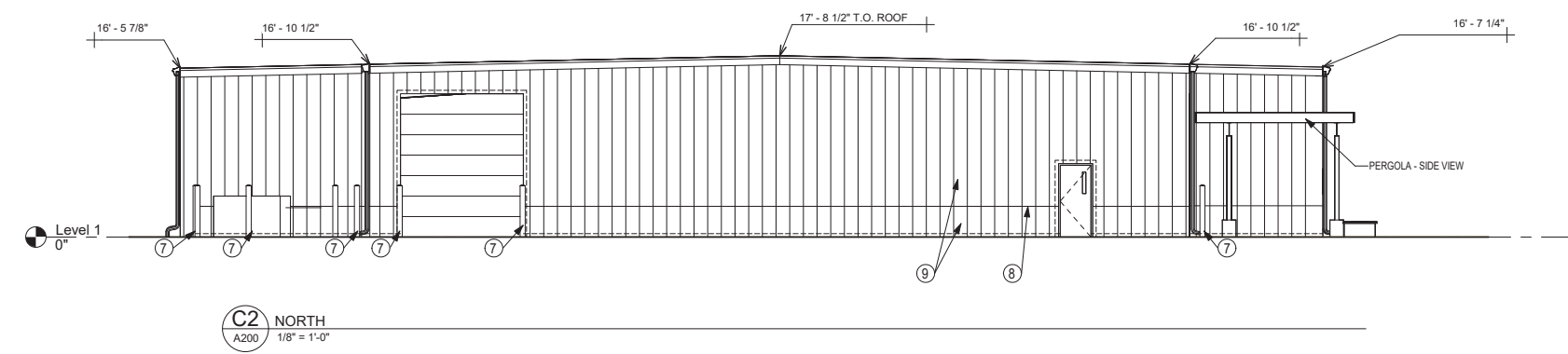
A



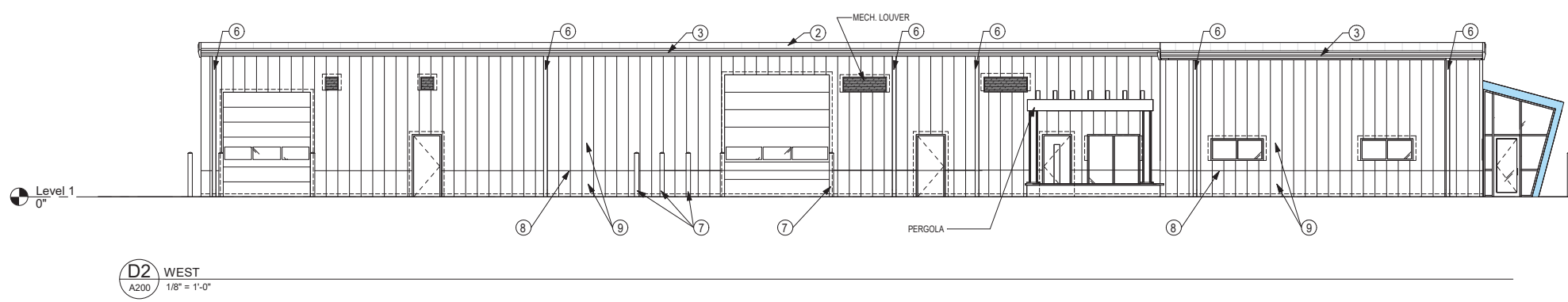
B



C



D



E

ELEVATION KEYNOTES	
MARK	DESCRIPTION
1	METAL ARCHITECTURAL STANDING SEAM ROOF AND WALL PANEL AT VESTIBULE WITH COLORED KYNAR FINISH
2	STRUCTURAL STANDING SEAM METAL ROOF W/ GALVALUME FINISH
3	PREFINISHED METAL GUTTER, 8" DEEP - BY METAL BUILDING MANUFACTURER
4	PREFINISHED METAL DOWNSPOUT WITH CONCRETE SPLASHBLOCK
5	PREFINISHED METAL ROOF EDGE FLASHING
6	DOWNSPOUT TIED TO UNDERGROUND STORM DRAINAGE - DOWNSPOUTS SUPPLIED BY METAL BUILDING MFR
7	BOLLARD: 6" DIA GALV STEEL BOLLARD, CONCRETE FILLED, (MOUNTED TO BUILDING FOOTING AT INTERIOR LOCATIONS) (EXTEND BELOW FROST AT EXTERIOR LOCATIONS). PROVIDE YELLOW PLASTIC SLEEVE. PROVIDE TWO AT EXTERIOR AND TWO AT INTERIOR OF EACH OVERHEAD DOOR. SEE ELEVATIONS AND ARCHITECTURAL FLOOR PLAN FOR ADDITIONAL LOCATIONS.
8	METAL PANEL JOINT FLASHING WITH DRIP EDGE AND FULLY ADHERED MEMBRANE FLASHING LAPPED OVER GIRT. MATCH FINISH OF EXTERIOR WALL PANEL.
9	EXTERIOR WALL PANEL TO BE STRUKTUROC STK2000. SEE ALTERNATE ON WALL SECTIONS SHEET.
10	J TRIM AT JAMBS AND BASE TRIM W/ DRIP EDGE AT HEAD - COLOR MATCH STRUKTUROC

FIELD BULLETINS ASSOCIATED WITH THIS SHEET:		
ISSUE #	ISSUE DATE	DESCRIPTION
10	2.09.2023	REVIEW SET

GENERAL CONTRACTOR - ARCHITECT
 NEUMANN BROTHERS, INC. - DESIGNBUILD SOLUTIONS
 1435 ohio street, p.o. box 1315 / oshkosh, wisconsin, us 53050-1315
 phone: (919) 242-0166 fax: (919) 242-0166

neumann
builders since 1912

DESIGNBUILD SOLUTIONS

MUSCO SPORTS LIGHTING FACILITY OPERATIONS BUILDING

EXTERIOR ELEVATIONS

A200

604 2nd Avenue west, Oskaloosa, Iowa